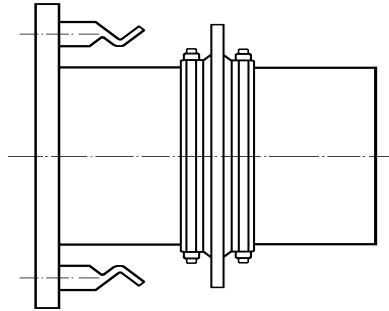


## Wanddurchführung, Anschlußflansch einseitig

Lochkreis nach DIN 2501 PN 10

Seite 41

PE - HD



| DA<br>/ mm | Hülsendübel<br>verzinkt Stahl |            | V4A Hülsendübel |            |
|------------|-------------------------------|------------|-----------------|------------|
|            | Art-Nr.                       | Preis/Euro | Art-Nr.         | Preis/Euro |
| 32         | 151110326                     | 67,85      | 152110326       | 76,20      |
| 40         | 151110406                     | 74,55      | 152110406       | 91,45      |
| 50         | 151110506                     | 76,80      | 152110506       | 93,45      |
| 63         | 151110636                     | 79,05      | 152110636       | 97,20      |
| 75         | 151110756                     | 81,15      | 152110756       | 100,25     |
| 90         | 151110906                     | 97,20      | 152110906       | 124,40     |
| 110        | 151111106                     | 103,90     | 152111106       | 131,95     |
| 125        | 151111256                     | 109,70     | 152111256       | 135,35     |
| 140        | 151111406                     | 111,15     | 152111406       | 137,25     |
| 160        | 151111606                     | 131,70     | 152111606       | 178,85     |
| 180        | 151111806                     | 135,30     | 152111806       | 187,75     |
| 200        | 151112006                     | 153,60     | 152112006       | 220,90     |
| 225        | 151112256                     | 160,15     | 152112256       | 223,00     |
| 250        | 151112506                     | 212,00     | 152112506       | 303,60     |
| 280        | 151112806                     | 227,05     | 152112806       | 314,60     |
| 315        | 151113156                     | 253,85     | 152113156       | 344,65     |
| 355        | 151113556                     | 324,70     | 152113556       | 500,15     |
| 400        | 151114006                     | 387,85     | 152114006       | 585,10     |
| 450        | 151114506                     | 489,40     | 152114506       | 753,20     |
| 500        | 151115006                     | 537,35     | 152115006       | 804,75     |
| 560        | 151115606                     | 818,00     | 152115606       | 1221,50    |
| 630        | 151116306                     | 892,50     | 152116306       | 1302,70    |

inkl. montiertem Mauerkragen aus EPDM  
PP auf Anfrage

Preiskalkulation  
0%

Stand 01 / 2021

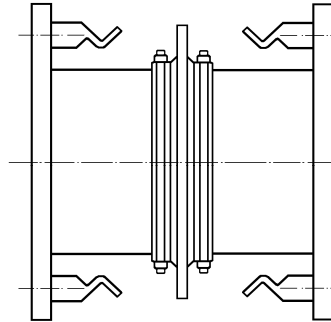
Änderungen vorbehalten

## Wanddurchführung, Anschlußflansch beidseitig

Lochkreis nach DIN 2501 PN 10

Seite 42

PE - HD



|            | Hülsendübel<br>verzinkt Stahl |            | V4A Hülsendübel |            | Hülsendübel<br>eins. Stahl<br>anderseitig V4A |            |
|------------|-------------------------------|------------|-----------------|------------|---|------------|
| DA<br>/ mm | Art-Nr.                       | Preis/Euro | Art-Nr.         | Preis/Euro | Art-Nr.                                       | Preis/Euro |
| 32         | 153120326                     | 79,00      | 154120326       | 99,45      | 155120326                                     | 89,95      |
| 40         | 153120406                     | 86,30      | 154120406       | 128,65     | 155120406                                     | 111,70     |
| 50         | 153120506                     | 91,45      | 154120506       | 131,45     | 155120506                                     | 114,15     |
| 63         | 153120636                     | 95,10      | 154120636       | 137,00     | 155120636                                     | 120,75     |
| 75         | 153120756                     | 100,90     | 154120756       | 142,10     | 155120756                                     | 124,30     |
| 90         | 153120906                     | 131,70     | 154120906       | 211,10     | 155120906                                     | 176,35     |
| 110        | 153121106                     | 145,55     | 154121106       | 219,20     | 155121106                                     | 184,40     |
| 125        | 153121256                     | 158,80     | 154121256       | 223,10     | 155121256                                     | 196,85     |
| 140        | 153121406                     | 160,95     | 154121406       | 225,75     | 155121406                                     | 204,05     |
| 160        | 153121606                     | 207,00     | 154121606       | 307,25     | 155121606                                     | 268,30     |
| 180        | 153121806                     | 213,75     | 154121806       | 316,75     | 155121806                                     | 274,95     |
| 200        | 153122006                     | 242,05     | 154122006       | 364,35     | 155122006                                     | 303,55     |
| 225        | 153122256                     | 251,00     | 154122256       | 373,80     | 155122256                                     | 312,35     |
| 250        | 153122506                     | 332,90     | 154122506       | 503,35     | 155122506                                     | 417,75     |
| 280        | 153122806                     | 349,70     | 154122806       | 526,60     | 155122806                                     | 438,10     |
| 315        | 153123156                     | 398,75     | 154123156       | 569,65     | 155123156                                     | 484,30     |
| 355        | 153123556                     | 468,05     | 154123556       | 705,95     | 155123556                                     | 518,70     |
| 400        | 153124006                     | 629,20     | 154124006       | 1049,75    | 155124006                                     | 938,20     |
| 450        | 153124506                     | 768,20     | 154124506       | 1335,10    | 155124506                                     | 1371,30    |
| 500        | 153125006                     | 816,85     | 154125006       | 1397,30    | 155125006                                     | 1426,55    |
| 560        | 153125606                     | 1365,10    | 154125606       | 2124,50    | 155125606                                     | 1739,65    |
| 630        | 153126306                     | 1462,35    | 154126306       | 2231,25    | 155126306                                     | 1832,00    |

inkl. montiertem Mauerkragen aus EPDM  
PP auf Anfrage

Preiskalkulation  
0%

Stand 01 / 2021  
Änderungen vorbehalten

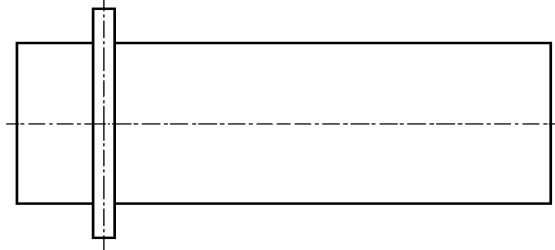


## Schachtanschlüsse 300 mm lang

mit mittig aufgeschweißtem  
Dichtflansch aus Plattenmaterial, besandet

Seite 45

**PE - HD**  
**PE 80 / 100**



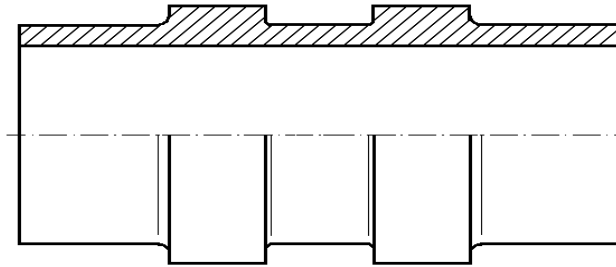
|                    | <b>SDR 33<br/>( PE 80 )</b> |                   | <b>SDR 17</b>  |                   | <b>SDR 11</b>  |                   |
|--------------------|-----------------------------|-------------------|----------------|-------------------|----------------|-------------------|
| <b>DA<br/>/ mm</b> | <b>Art-Nr.</b>              | <b>Preis/Euro</b> | <b>Art-Nr.</b> | <b>Preis/Euro</b> | <b>Art-Nr.</b> | <b>Preis/Euro</b> |
| <b>110</b>         | 156001103                   | <b>70,00</b>      | 556001106      | <b>70,00</b>      | 556001101      | <b>72,00</b>      |
| <b>125</b>         | 156001253                   | <b>80,00</b>      | 556001256      | <b>82,00</b>      | 556001251      | <b>84,00</b>      |
| <b>140</b>         | 156001403                   | <b>89,00</b>      | 556001406      | <b>92,00</b>      | 556001401      | <b>94,00</b>      |
| <b>160</b>         | 156001603                   | <b>104,00</b>     | 556001606      | <b>107,00</b>     | 556001601      | <b>110,00</b>     |
| <b>180</b>         | 156001803                   | <b>115,00</b>     | 556001806      | <b>120,00</b>     | 556001801      | <b>124,00</b>     |
| <b>200</b>         | 156002003                   | <b>129,00</b>     | 556002006      | <b>134,00</b>     | 556002001      | <b>139,00</b>     |
| <b>225</b>         | 156002253                   | <b>145,00</b>     | 556002256      | <b>152,00</b>     | 556002251      | <b>157,00</b>     |
| <b>250</b>         | 156002503                   | <b>164,00</b>     | 556002506      | <b>170,00</b>     | 556002501      | <b>179,00</b>     |
| <b>280</b>         | 156002803                   | <b>184,00</b>     | 556002806      | <b>194,00</b>     | 556002801      | <b>204,00</b>     |
| <b>315</b>         | 156003153                   | <b>209,00</b>     | 556003156      | <b>220,00</b>     | 556003151      | <b>234,00</b>     |
| <b>355</b>         | 156003553                   | <b>240,00</b>     | 556003556      | <b>257,00</b>     | 556003551      | <b>272,00</b>     |
| <b>400</b>         | 156004003                   | <b>275,00</b>     | 556004006      | <b>295,00</b>     | 556004001      | <b>315,00</b>     |
| <b>450</b>         | 156004503                   | <b>317,00</b>     | 556004506      | <b>342,00</b>     | 556004501      | <b>367,00</b>     |
| <b>500</b>         | 156005003                   | <b>357,00</b>     | 556005006      | <b>387,00</b>     | 556005001      | <b>419,00</b>     |
| <b>560</b>         | 156005603                   | <b>432,00</b>     | 556005606      | <b>470,00</b>     | 556005601      | <b>510,00</b>     |
| <b>630</b>         | 156006303                   | <b>500,00</b>     | 556006306      | <b>550,00</b>     | 556006301      | <b>599,00</b>     |
| <b>710</b>         | 156007103                   | <b>582,00</b>     | 556007106      | <b>645,00</b>     | 556007101      | <b>707,00</b>     |
| <b>800</b>         | 156008003                   | <b>750,00</b>     | 556008006      | <b>836,00</b>     | 556008001      | <b>926,00</b>     |
| <b>900</b>         | 156009003                   | <b>877,00</b>     | 556009006      | <b>987,00</b>     | 556009001      | <b>1099,00</b>    |
| <b>1000</b>        | 156001003                   | <b>1014,00</b>    | 556001006      | <b>1150,00</b>    | 556001001      | <b>1287,00</b>    |
| <b>1200</b>        | 156001203                   | <b>1260,00</b>    | 556001206      | <b>1457,00</b>    | 556001201      | <b>1656,00</b>    |

PP auf Anfrage

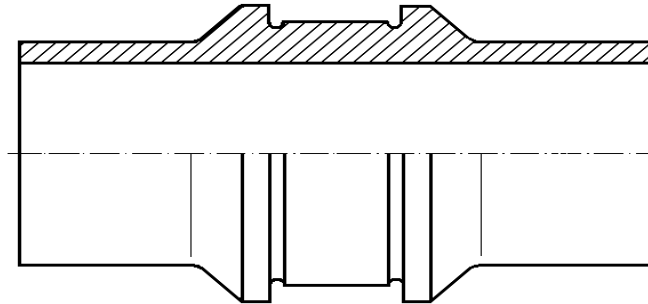
Preiskalkulation  
0%

Stand 01 / 2021

Änderungen vorbehalten



|         | SDR 17    |                | SDR 11    |                |
|---------|-----------|----------------|-----------|----------------|
| DA / mm | Art-Nr.   | Preis/Euro     | Art-Nr.   | Preis/Euro     |
| 50      | 575010506 |                | 575010501 |                |
| 63      | 575010636 |                | 575010631 |                |
| 75      | 575010756 |                | 575010751 |                |
| 90      | 575010906 |                | 575010901 |                |
| 110     | 575011106 | <b>575,20</b>  | 575011101 | <b>582,40</b>  |
| 125     | 575011256 | <b>582,40</b>  | 575011251 | <b>598,00</b>  |
| 140     | 575011406 | <b>628,40</b>  | 575011401 | <b>628,40</b>  |
| 160     | 575011606 | <b>698,90</b>  | 575011601 | <b>636,40</b>  |
| 180     | 575011806 | <b>751,60</b>  | 575011801 | <b>782,00</b>  |
| 200     | 575012006 | <b>774,40</b>  | 575012001 | <b>843,60</b>  |
| 225     | 575012256 | <b>950,40</b>  | 575012251 | <b>1035,20</b> |
| 250     | 575012506 | <b>1121,50</b> | 575012501 | <b>1217,00</b> |
| 280     | 575012806 | <b>1248,00</b> | 575012801 | <b>1349,60</b> |
| 315     | 575013156 | <b>1564,00</b> | 575013151 | <b>1524,00</b> |
| 355     | 575013556 | <b>1590,50</b> | 575013551 | <b>1677,00</b> |
| 400     | 575014006 | <b>1945,00</b> | 575014001 | <b>1939,60</b> |
| 450     | 575014506 | <b>2392,00</b> | 575014501 | <b>2760,00</b> |
| 500     | 575015006 | <b>2660,40</b> | 575015001 | <b>3066,40</b> |
| 560     | 575015606 | <b>3603,60</b> | 575015601 | <b>4209,20</b> |
| 630     | 575016306 | <b>3856,40</b> | 575016301 | <b>4523,60</b> |
| 710     | 575017106 | <b>6056,40</b> |           |                |
| 800     | 575018006 | <b>6424,40</b> |           |                |
| 900     | 575019006 | <b>8471,60</b> |           |                |
| 1000    | 575011006 | <b>9593,00</b> |           |                |



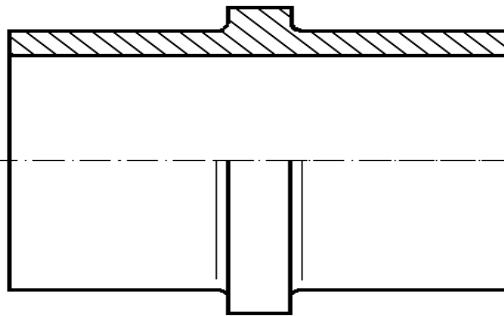
|         | SDR 17    |                 | SDR 11    |                |
|---------|-----------|-----------------|-----------|----------------|
| DA / mm | Art-Nr.   | Preis/Euro      | Art-Nr.   | Preis/Euro     |
| 50      | 576010506 |                 | 576010501 |                |
| 63      | 576010636 |                 | 576010631 |                |
| 75      | 576010756 |                 | 576010751 |                |
| 90      | 576010906 |                 | 576010901 |                |
| 110     | 576011106 | <b>625,20</b>   | 576011101 | <b>633,20</b>  |
| 125     | 576011256 | <b>633,20</b>   | 576011251 | <b>650,00</b>  |
| 140     | 576011406 | <b>683,20</b>   | 576011401 | <b>683,20</b>  |
| 160     | 576011606 | <b>759,60</b>   | 576011601 | <b>691,60</b>  |
| 180     | 576011806 | <b>816,80</b>   | 576011801 | <b>850,00</b>  |
| 200     | 576012006 | <b>841,60</b>   | 576012001 | <b>916,80</b>  |
| 225     | 576012256 | <b>1033,20</b>  | 576012251 | <b>1125,20</b> |
| 250     | 576012506 | <b>1219,00</b>  | 576012501 | <b>1323,00</b> |
| 280     | 576012806 | <b>1358,40</b>  | 576012801 | <b>1466,80</b> |
| 315     | 576013156 | <b>1700,00</b>  | 576013151 | <b>1656,50</b> |
| 355     | 576013556 | <b>1729,00</b>  | 576013551 | <b>1823,00</b> |
| 400     | 576014006 | <b>2114,50</b>  | 576014001 | <b>2108,40</b> |
| 450     | 576014506 | <b>2600,00</b>  | 576014501 | <b>3000,00</b> |
| 500     | 576015006 | <b>2891,60</b>  | 576015001 | <b>3333,20</b> |
| 560     | 576015606 | <b>3916,80</b>  | 576015601 | <b>4575,20</b> |
| 630     | 576016306 | <b>4191,60</b>  | 576016301 | <b>4916,80</b> |
| 710     | 576017106 | <b>6583,20</b>  |           |                |
| 800     | 576018006 | <b>6983,20</b>  |           |                |
| 900     | 576019006 | <b>9208,40</b>  |           |                |
| 1000    | 576011006 | <b>10427,00</b> |           |                |

# Mauerdurchführung

Seite 79

zugfest

PE - HD  
PE 100



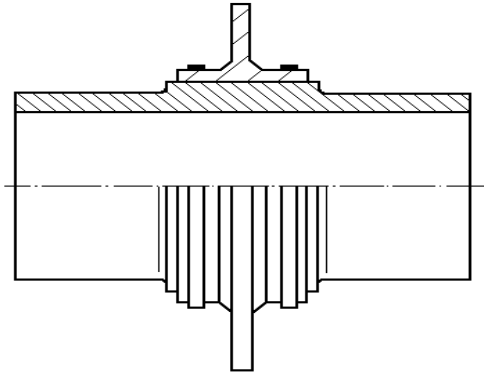
|         | SDR 17    |            | SDR 11    |            |
|---------|-----------|------------|-----------|------------|
| DA / mm | Art-Nr.   | Preis/Euro | Art-Nr.   | Preis/Euro |
| 90      | 577010906 | 866,40     | 577010901 | 912,40     |
| 110     | 577011106 | 927,60     | 577011101 | 996,40     |
| 125     | 577011256 | 1012,00    | 577011251 | 1104,00    |
| 140     | 577011406 | 1104,00    | 577011401 | 1219,20    |
| 160     | 577011606 | 1211,60    | 577011601 | 1357,20    |
| 180     | 577011806 | 1326,40    | 577011801 | 1479,60    |
| 200     | 577012006 | 1418,40    | 577012001 | 1602,40    |
| 225     | 577012256 | 1671,60    | 577012251 | 1909,20    |
| 250     | 577012506 | 1870,40    | 577012501 | 2169,60    |
| 280     | 577012806 | 2315,60    | 577012801 | 2660,40    |
| 315     | 577013156 | 2537,60    | 577013151 | 3066,40    |
| 355     | 577013556 | 3281,60    | 577013551 | 3871,60    |
| 400     | 577014006 | 3963,60    | 577014001 | 4991,20    |
| 450     | 577014506 | 4669,20    | 577014501 | 5765,60    |
| 500     | 577015006 | 5642,40    | 577015001 | 6999,60    |
| 560     | 577015606 | 6647,20    | 577015601 | 8203,60    |
| 630     | 577016306 | 8034,40    | 577016301 | 10089,60   |
| 710     | 577017106 | 10572,40   |           |            |
| 800     | 577018006 | 12052,00   |           |            |
| 900     | 577019006 | 15785,60   |           |            |
| 1000    | 577011006 | 19419,60   |           |            |

## Mauerdurchführung

Druckwasser- und zugfest  
inkl. montiertem EPDM-Mauerkragen

Seite 80

PE - HD  
PE 100



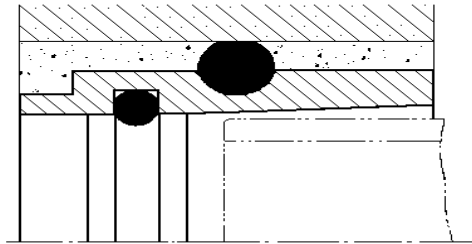
|         | SDR 17    |            | SDR 11    |            |
|---------|-----------|------------|-----------|------------|
| DA / mm | Art-Nr.   | Preis/Euro | Art-Nr.   | Preis/Euro |
| 90      | 578010906 | 941,60     | 578010901 | 991,60     |
| 110     | 578011106 | 1008,40    | 578011101 | 1083,20    |
| 125     | 578011256 | 1100,00    | 578011251 | 1200,00    |
| 140     | 578011406 | 1200,00    | 578011401 | 1325,20    |
| 160     | 578011606 | 1316,80    | 578011601 | 1475,20    |
| 180     | 578011806 | 1441,60    | 578011801 | 1608,40    |
| 200     | 578012006 | 1541,60    | 578012001 | 1741,60    |
| 225     | 578012256 | 1816,80    | 578012251 | 2075,20    |
| 250     | 578012506 | 2033,20    | 578012501 | 2358,40    |
| 280     | 578012806 | 2516,80    | 578012801 | 2891,60    |
| 315     | 578013156 | 2758,40    | 578013151 | 3333,20    |
| 355     | 578013556 | 3566,80    | 578013551 | 4208,40    |
| 400     | 578014006 | 4308,40    | 578014001 | 5425,20    |
| 450     | 578014506 | 5075,20    | 578014501 | 6266,80    |
| 500     | 578015006 | 6133,20    | 578015001 | 7608,40    |
| 560     | 578015606 | 7225,20    | 578015601 | 8916,80    |
| 630     | 578016306 | 8733,20    | 578016301 | 10966,80   |
| 710     | 578017106 | 11491,60   |           |            |
| 800     | 578018006 | 13100,00   |           |            |
| 900     | 578019006 | 17158,40   |           |            |
| 1000    | 578011006 | 21108,40   |           |            |

# Schachtfutter

Seite 81

Typ 1  
 inkl. NR-O-Ring

PE - HD



|         | 150 mm    |            | 240 mm    |            |
|---------|-----------|------------|-----------|------------|
| DA / mm | Art-Nr.   | Preis/Euro | Art-Nr.   | Preis/Euro |
| 110     | 279011100 | 897,20     | 279021100 | 943,20     |
| 125     | 279011250 | 897,20     | 279021250 | 959,00     |
| 140     | 279011400 | 927,60     | 279021400 | 981,60     |
| 160     | 279011600 | 989,20     | 279021600 | 1058,00    |
| 180     | 279011800 | 989,20     | 279021800 | 1058,00    |
| 200     | 279012000 | 1019,60    | 279022000 | 1096,40    |
| 225     | 279012250 | 1035,20    | 279022250 | 1111,60    |
| 250     | 279012500 | 1211,60    | 279022500 | 1334,00    |
| 280     | 279012800 | 1247,80    | 279022800 | 1399,60    |
| 315     | 279013150 | 1295,60    | 279023150 | 1426,00    |
| 355     | 279013550 | 1617,60    | 279023550 | 1809,60    |
| 400     | 279014000 | 1725,20    | 279024000 | 1901,60    |
| 450     | 279014500 | 1886,00    | 279024500 | 2108,40    |
| 500     | 279015000 | 2215,60    | 279025000 | 2591,60    |
| 560     | 279015600 | 2277,20    | 279025600 | 2640,40    |
| 630     | 279016300 | 2798,40    | 279026300 | 3250,40    |
| 710     | 279017100 | 4278,00    | 279027100 | 5313,20    |
| 800     | 279018000 | 5535,60    | 279028000 | 7076,40    |
| 900     | 279019000 | 6386,40    | 279029000 | 8272,40    |
| 1000    | 279011000 | 9882,40    | 279021000 | 13393,60   |

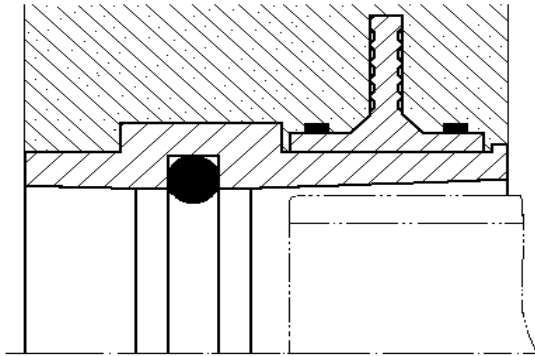


## Schachtfutter

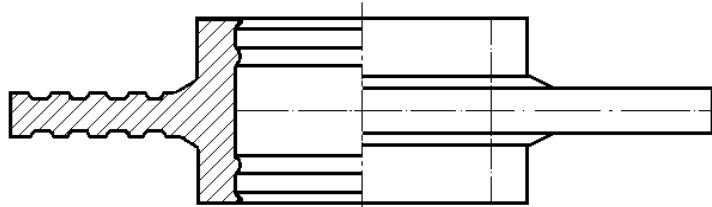
Seite 82

Typ 2
   
 inkl. montiertem EPDM-Mauerkragen

PE - HD



|         | 150 mm    |            | 240 mm    |            |
|---------|-----------|------------|-----------|------------|
| DA / mm | Art-Nr.   | Preis/Euro | Art-Nr.   | Preis/Euro |
| 110     | 279031100 | 975,20     | 279041100 | 1025,20    |
| 125     | 279031250 | 975,20     | 279041250 | 1042,20    |
| 140     | 279031400 | 1008,40    | 279041400 | 1066,80    |
| 160     | 279031600 | 1075,20    | 279041600 | 1150,00    |
| 180     | 279031800 | 1075,20    | 279041800 | 1150,00    |
| 200     | 279032000 | 1108,40    | 279042000 | 1191,60    |
| 225     | 279032250 | 1125,20    | 279042250 | 1208,40    |
| 250     | 279032500 | 1316,80    | 279042500 | 1450,00    |
| 280     | 279032800 | 1356,20    | 279042800 | 1521,50    |
| 315     | 279033150 | 1408,40    | 279043150 | 1550,00    |
| 355     | 279033550 | 1758,40    | 279043550 | 1966,80    |
| 400     | 279034000 | 1875,20    | 279044000 | 2066,80    |
| 450     | 279034500 | 2050,00    | 279044500 | 2291,60    |
| 500     | 279035000 | 2408,40    | 279045000 | 2816,80    |
| 560     | 279035600 | 2475,20    | 279045600 | 3500,00    |
| 630     | 279036300 | 3041,60    | 279046300 | 3533,20    |
| 710     | 279037100 | 4650,00    | 279047100 | 5775,20    |
| 800     | 279038000 | 6016,80    | 279048000 | 7691,60    |
| 900     | 279039000 | 6941,60    | 279049000 | 8991,60    |
| 1000    | 279031000 | 10741,60   | 279041000 | 14558,40   |



| DA<br>/ mm | Art-Nr.   | Preis/Euro |
|------------|-----------|------------|
| 32         | 289010320 | 28,05      |
| 40         | 289010400 | 28,05      |
| 50         | 289010500 | 28,05      |
| 63         | 289010630 | 28,95      |
| 75         | 289010750 | 28,95      |
| 90         | 289010900 | 32,65      |
| 110        | 289011100 | 34,50      |
| 125        | 289011250 | 34,50      |
| 140        | 289011400 | 34,50      |
| 160        | 289011600 | 37,20      |
| 180        | 289011800 | 37,20      |
| 200        | 289012000 | 39,00      |
| 225        | 289012250 | 39,00      |
| 250        | 289012500 | 40,85      |
| 280        | 289012800 | 44,45      |
| 315        | 289013150 | 46,45      |
| 355        | 289013550 | 130,00     |
| 400        | 289014000 | 133,00     |
| 450        | 289014500 | 137,00     |
| 500        | 289015000 | 141,50     |
| 560        | 289015600 | 301,60     |
| 630        | 289016300 | 360,00     |
| 710        | 289017100 | 383,00     |
| 800        | 289018000 | 391,50     |
| 900        | 289019000 | 425,20     |
| 1000       | 289011000 | 443,80     |
| 1200       | 289011200 | 489,00     |
| 1400       | 289011400 | 641,00     |

( inkl. Spannband und Schloß )